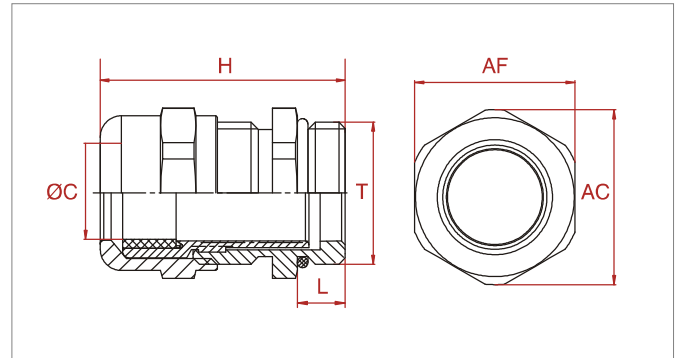


## CABLE GLANDS - EMC

(With Electromagnetic Compatibility for Shielded Cables)

BRASS



### Properties

Dome Nut	Nickel Plated Brass
Gland Body	Nickel Plated Brass
Sealing Ring	Nitrile Rubber NBR
Flat / O Ring	Nitrile Rubber NBR
Temperature Range	-20°C / +100°C

### Technical Data

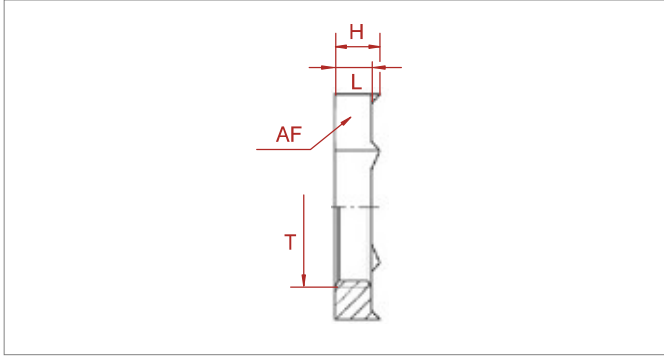
Connecting Thread	Metric as per EN 60423
Protection Grade	IP 68
Test Standard	UL 514B
Pitch	1.5 mm
UL File No.	E466603
Approvals	

Cable Glands - Standard Thread						Hexagonal Dimensions		
Article No.	External Thread		Clamping Range	Entry Thread Length	Height	Packet Size	Across Flats	Across Corners
	T		ØC (mm)	L (mm)	H (mm)	(Pcs.)	AF (mm)	AC (mm)
01 17 11017	M	12	3 - 6	5	25	100	14	15.5
01 17 11018	M	16	5 - 9	5	30	100	18	20
01 17 11019	M	20	9 - 13	6	33.5	50	22	24
01 17 11020	M	25	11 - 16	7	36.5	50	27	30
01 17 11021	M	32	14 - 21	8	38	25	34	36
01 17 11022	M	40	19 - 27	8	41	10	43	47.5
01 17 11023	M	50	24 - 35	9	49.5	5	55	60
01 17 11024	M	63	32 - 42	10	52.5	5	65	70

Cable Glands - Long Thread						Hexagonal Dimensions		
Article No.	External Thread		Clamping Range	Entry Thread Length	Height	Packet Size	Across Flats	Across Corners
	T		ØC (mm)	L (mm)	H (mm)	(Pcs.)	AF (mm)	AC (mm)
01 17 11025	M	12	3 - 6	10	30	100	14	15.5
01 17 11026	M	16	5 - 9	10	35	100	18	20
01 17 11027	M	20	9 - 13	10	37.5	50	22	24
01 17 11028	M	25	11 - 16	11	40.5	50	27	30
01 17 11029	M	32	14 - 21	13	43	25	34	36
01 17 11030	M	40	19 - 27	13	46	10	43	47.5
01 17 11031	M	50	24 - 35	14	54.5	5	55	60
01 17 11032	M	63	32 - 42	14	56.5	5	65	70

# HEXAGONAL LOCKNUTS

## HEXAGONAL LOCKNUTS - EMC (METRIC)



BRASS

**Properties**

Dome Nut	Nickel Plated Brass
Temperature Range	Up to 100°C
Thread	Metric

Hexagonal Locknuts - Metric Thread					
Article No.	External Thread	Thread Length	Across Flats	Height	Packet Size
	T	L (mm)	AF (mm)	H (mm)	(Pcs.)
01 09 00534	M 12	4.5	15	5.5	100
01 09 01050	M 16	4.5	19	5.5	100
01 09 00553	M 20	4.5	24	5.5	50
01 09 00554	M 25	4.5	30	5.5	50
01 09 00555	M 32	4.5	36	5.5	25
01 09 00556	M 40	5	46	6	10
01 09 00904	M 50	5	60	6	5
01 09 00035	M 63	6	70	7	5